

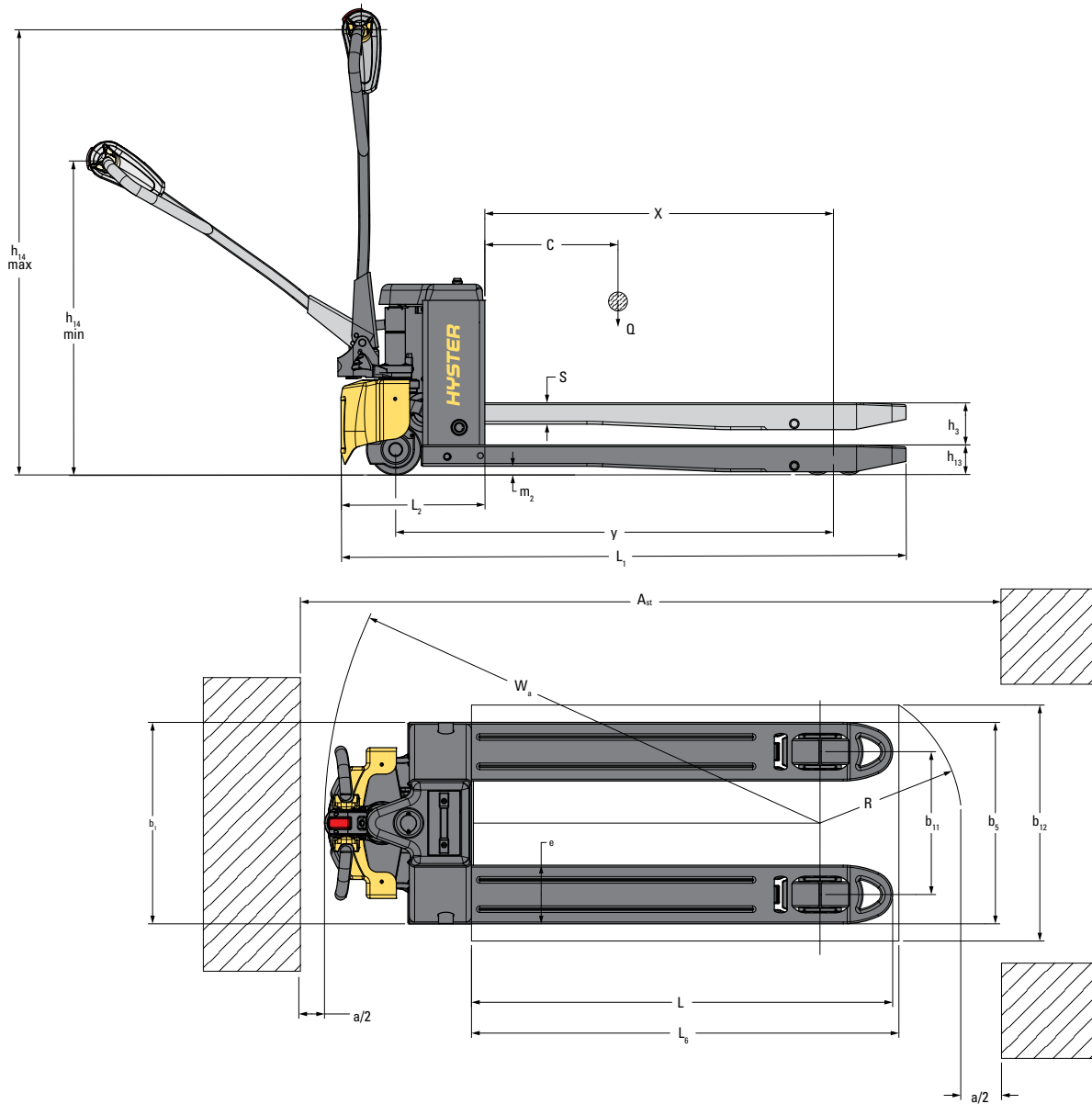
PC 1.5 SERIES



COMPACT POWERED PALLET TRUCK PRODUCT TECHNICAL GUIDE


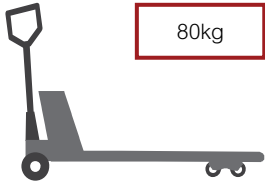


TRUCK DIMENSIONS - STANDARD



POWERED PALLET TRUCK VS. HAND PALLET TRUCK

SERVICE WEIGHT

	120kg		80kg
1552 mm		1510mm	

Compact and Lightweight



Single/Dual Tandem Load Wheels



Protective Cover



1500mm High Load Backrest option

PC1.5 SPECIFICATIONS

	Code	Description	Units		Values		
			1	2	1	2	
GENERAL	1-1	Manufacturer			HYSTER		
	1-2	Model designation			PC1.5		
	1-3	Drive			Electric (battery)		
	1-4	Operator type			Pedestrian		
	1-5	Rated capacity / rated load	Q ₁	t	1.5		
	1-6	Load centre distance	c	mm	600		
	1-8	Load distance, centre of drive axle to fork	x	mm	952	1022	
	1-9	Wheelbase	y	mm	1197	1267	
	WEIGHT	2-1	Service weight		kg	120	
2-2		Axle loading with load, front / rear		kg	1134	486	
2-3		Axle loading without load, front / rear		kg	88	32	
WHEELS	3-1	Tyre type front/rear			polyurethane / polyurethane		
	3-2	Tyre size, front		mm	140 x 55		
	3-3	Tyre size, front		mm	80 x 93 (single wheel) / 80 x 70 (dual tandem wheel)		
	3-5	Wheels, number front / rear (x = driven wheels)			1x / 2 (single wheel) / 1x / 4 (dual tandem wheel)		
	3-7	Tread, rear	b ₁₁	mm	385	520	
DIMENSIONS	4-4	Lift		h ₃	mm	115	
	4-9	Height drawbar in driving position min./max.		h ₁₄	mm	740	1120
	4-15	Height, lowered		h ₁₃	mm	82 ± 2	
	4-19	Overall length (pedestrian)		l ₁	mm	1202 / 1402 / 1552/ 1622	
	4-20	Length to face of forks (pedestrian)		l ₂	mm	402	
	4-21	Overall width		b ₁ /b ₂	mm	550	685
	4-22	Fork dimensions DIN ISO 2331		s/e/l	mm	58 x 160 x 1150 (800 / 1000 / 1220)	
	4-25	Distance between fork-arms		b ₅	mm	550	685
	4-32	Ground clearance, centre of wheelbase		m ₂	mm	22	
	4-34-1	Aisle width for pallets 1000 × 1200 crossways		Ast	mm	1718	
	4-34-4	Aisle width for pallets 800 × 1200 lengthways		Ast	mm	1687	
	4-35	Turning radius		W _a	mm	1353	1426
	PERFORMANCE	5-1	Travel speed with / without load		km/h	4.0	5.0
5-1-1		Travel speed with / without load, backwards (pedestrian)		km/h	4.0	5.0	
5-2		Lifting speed with / without load		m/s	0.018	0.023	
5-3		Lowering speed with / without load		m/s	0.056	0.046	
5-7		Gradeability - 1.6 km/h, with / without load		%	6%	20%	
5-8		Max. gradeability - 1.6 km/h, with / without load		%	6%	20%	
5-10		Service brake			Electric		
ELECTRIC MOTOR	6-1	Drive motor, S2 60 min rating		kW	0.75KW		
	6-2	Lift motor S3 15% rating		kW	0.5KW		
	6-3	Battery according to DIN 43531/35/36 A,B,C, no			no		
	6-4	Battery voltage / nominal capacity K5		V/Ah	48V / 10Ah	48V / 15Ah	
	6-5	Battery weight		kg	4.5	5.9	
	6-6	Energy consumption acc. to VDI cycle		kWh/h	0.42 Kwh/h		
	8-1	Type of drive unit			Electric		
	10-7	Average noise level at the operator's ear according to EN 12053		dB (A)	69		

NOTICE:

Care must be exercised when handling elevated loads. Operators must be trained and must read, understand and follow the instructions contained in the Operating Manual.

All values are nominal values and they are subject to tolerances. For further information, please contact the manufacturer.

Hyster products are subject to change without notice. Lift trucks illustrated may feature optional equipment. Values may vary with alternative configurations.



Safety: This truck conforms to the current EU requirements.

Specification data is based on VDI 2198.




HYSTER EUROPE
Centennial House, Building 4.5, Frimley Business Park,
Frimley, Surrey, GU16 7SG, United Kingdom

Visit us online at www.hyster.com or call us at **+44 (0) 1276 538500**.

HYSTER-YALE UK LIMITED trading as Hyster Europe.

Registered Address: Centennial House, Building 4.5, Frimley Business Park, Frimley, Surrey GU16 7SG, United Kingdom.

Registered in England and Wales. Company Registration Number: 02636775.

© HYSTER-YALE UK LIMITED. 2022, all rights reserved. Hyster and  are trademarks of Hyster-Yale Group, Inc.

Hyster products are subject to change without notice. Trucks may be shown with optional equipment.



Safety: This truck conforms to the current
EU and UKCA requirements