

# Fork Mounted Scoop (FMS)

Prior to initial operation the operator must read and understand the instructions contained on the plate on the left side of the attachment (as viewed from the truck).

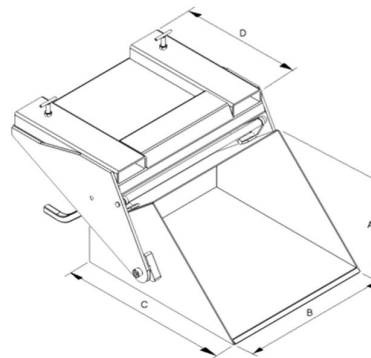
To fit the attachment to the truck, slide the forks into the fork pockets until they are fully engaged. Screw the clamps down firmly to retain the attachment on the forks.

To fill the bucket and pick up a load of material, the material should be approached with the bucket at ground level. The truck is driven carefully forward, with the mast as near upright as possible until the bucket fills.

The forks can then be raised and the material transported as required.

The ideal scoop for emptying/filling sands and aggregates.

Compact – design scoop with easy filling characteristics and good manoeuvrability. The conventional scoop for aggregate and sand.



Model Ref.	Weight	C of G Min	C of G Max	Load Centre
FMS 20M	209Kg	560mm	650mm	826mm
FMS 25M	216Kg	580mm	670mm	826mm
FMS 40M	262Kg	600mm	660mm	810mm
FMS 50M	319Kg	620mm	680mm	810mm

Model Ref.	Volume	Min Truck Cap	A (Bucket Height)	B (Bucket Width)	C (Bucket Length)	D (Pocket Length)
FMS 20M	0.20m <sup>3</sup>	300Kg	505mm	800mm	930mm	670mm
FMS 25M	0.25m <sup>3</sup>	375Kg	505mm	1000mm	930mm	670mm
FMS 40M	0.40m <sup>3</sup>	600Kg	608mm	1000mm	1170mm	670mm
FMS 50M	0.50m <sup>3</sup>	750Kg	608mm	1250mm	1170mm	670mm