

# MSC series

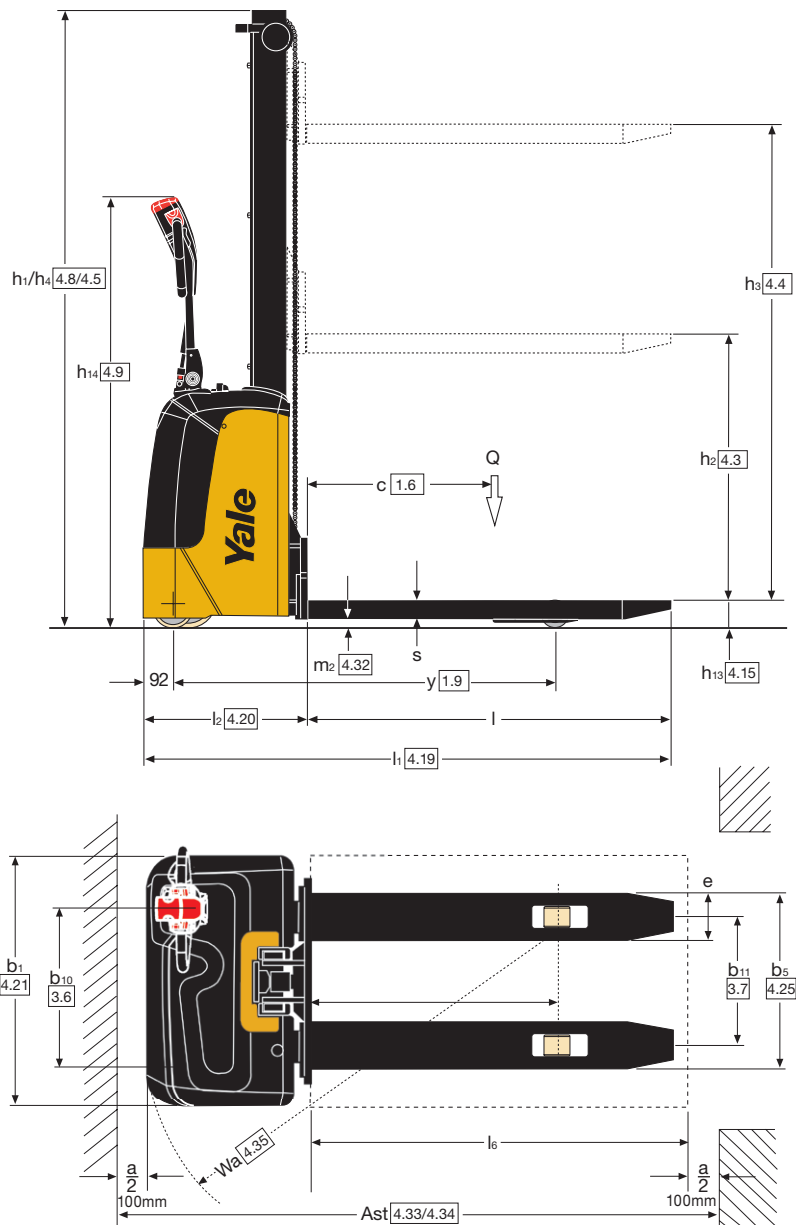
## Compact stacker

**1,000kg**

- MOSFET DC controller for traction and hydraulic controls
- Compact chassis design to improve accessibility
- Standard anti-roll back system
- Adjustable performance setting to suit specific operation conditions
- Optimized battery packs to ensure maximum time of operation
- Quick accessibility for exchange of batteries



## Truck Dimensions



### Dependability

- MOSFET DC controller for traction and hydraulic controls
- Battery discharge indicator (Red, Amber, Green status)
- Welded fork construction makes them highly resistant to torsion and heavy loads
- In case of collision components and batteries are protected with special designed cover.

### Productivity

- Compact chassis design to improve accessibility
- Operator-friendly tiller head controls for productive load handling
- Standard anti-roll back system
- Stabilizing wheel to maximize stability when turning
- Single load wheels.

### Ergonomics

- Ergonomically tiller head designed for maximum operator comfort
- Low effort controls ergonomically placed to reduce operator fatigue
- Adjustable performance setting to suit specific operation conditions
- Responsive butterfly switches control travel direction, speed and braking allow a smooth start, controlled braking and acceleration
- Adjustable Creep-speed function for manoeuvring in dense areas – tiller arm in upright position or lowered

### Cost of ownership

- On board 10A HF charger for on-site recharge
- Optimized battery packs to ensure maximum time of operation
- Easy access to motor and key components to reduce downtime

### Serviceability

- Quick accessibility for exchange of batteries
- Maintenance free sealed lead acid batteries.

## VDI 2198 – General Specifications

Distinguishing mark	1.1	Manufacturer (abbreviation)		Yale
	1.2	Manufacturer's type designation		<b>MSC10</b>
	1.3	Drive: electric (battery or mains), diesel, petrol, fuel gas		Battery
	1.4	Operator type: hand, pedestrian, standing, seated, order-picker		Pedestrian
	1.5	Rated capacity/Rated load	Q (t)	1.0
	1.6	Load centre distance	c (mm)	600
	1.8	Load distance, centre of drive axle to fork	x (mm)	786
	1.9	Wheelbase	y (mm)	1165
	Weights	2.1	Service weight <sup>(1)</sup>	kg
2.2		Axle loading, laden front/rear	kg	434 / 937
2.3		Axle loading, unladen front/rear	kg	269 / 102
Tyres/chassis	3.1	Tyres: polyurethane, tophane, vulkollan, front/rear		Solid rubber + Polyurethane / Polyurethane
	3.2	Tyre size, front	ø (mm x mm)	186 x 50
	3.3	Tyre size, rear	ø (mm x mm)	82 x 70
	3.4	Additional wheels (dimensions)	ø (mm x mm)	125 x 45
	3.5	Wheels, number front/rear (x = driven wheels)		1x + 1/2
	3.6	Tread, front	b <sub>10</sub> (mm)	505
	3.7	Tread, rear	b <sub>11</sub> (mm)	410
Dimensions	4.2	Height, mast lowered	h <sub>1</sub> (mm)	1970
	4.3	Free lift	h <sub>2</sub> (mm)	1510
	4.4	Lift	h <sub>3</sub> (mm)	1510
	4.5	Height, mast extended	h <sub>4</sub> (mm)	1970
	4.9	Height drawbar in driving position min./max.	h <sub>14</sub> (mm)	930 / 1365
	4.10	Height of wheel arms	h <sub>8</sub> (mm)	80
	4.15	Height, lowered	h <sub>13</sub> (mm)	90
	4.19	Overall length	l <sub>1</sub> (mm)	1675
	4.20	Length to face of forks	l <sub>2</sub> (mm)	522
	4.21	Overall width	b <sub>1</sub> /b <sub>2</sub> (mm)	794
	4.22	Fork dimensions	s/e/l (mm)	60 / 150 / 1153
	4.24	Fork-carriage width	b <sub>3</sub> (mm)	650
	4.25	Distance between fork-arms	b <sub>5</sub> (mm)	560
	4.31	Ground clearance, laden, below mast	m <sub>1</sub> (mm)	30
	4.32	Ground clearance, centre of wheelbase	m <sub>2</sub> (mm)	40
	4.33	Load dimension b <sub>12</sub> × l <sub>6</sub> crossways	b <sub>12</sub> × l <sub>6</sub> (mm)	800 x 1200
	4.34.1	Aisle width for pallets 1000mm x 1200mm crossways	A <sub>st</sub> (mm)	2130
4.34.2	Aisle width for pallets 800mm x 1200mm lengthwise	A <sub>st</sub> (mm)	2120	
4.35	Turning radius	W <sub>a</sub> (mm)	1344	
Performance data	5.1	Travel speed, laden/unladen	km/h	3.7 / 4.3
	5.1.1	Travel speed, laden/unladen, backwards	km/h	3.7 / 4.3
	5.2	Lift speed, laden/unladen	m/s	0.11 / 0.18
	5.3	Lowering speed, laden/unladen	m/s	0.18 / 0.18
	5.7	Gradeability, laden/unladen	%	-
	5.8	Max. gradeability, laden/unladen	%	9 / 25
5.10	Service brake		Electric	
Electric engine	6.1	Drive motor S2 60 minute rating	kW	0.35
	6.2	Lift motor S3 15% rating	kW	2.2
	6.3	Battery according to DIN 43531/35/36 A,B,C, no		no
	6.4	Battery voltage/nominal capacity K5	V/Ah	24 / 54
	6.5	Battery weight <sup>(1)</sup>	kg	38
	6.8	Energy consumption at turnover output	kWh in 1h (kWh/h)	0.45
8.1	Type of drive unit	dB (A)	DC-Controller	
10.7	Sound pressure level at the driver's seat		63	

<sup>(1)</sup> These values may vary of +/- 5%.

All values are nominal values and they are subject to tolerances.  
For further information, please contact the manufacturer.  
Yale products might be subject to change without notice.  
Lift trucks illustrated may feature optional equipment.  
Values may vary with alternative configurations.

# MSC series

Models: MSC10



## HYSTER-YALE UK LIMITED

trading as **Yale Europe Materials Handling**  
Centennial House,  
Frimley Business Park,  
Frimley, Surrey GU16 7SG, United Kingdom.


Tel: +44 (0) 1276 538500 Fax: +44 (0) 1276 538559


[www.yale-forklifts.eu](http://www.yale-forklifts.eu)



Publication part no. 220990458 Rev.00 Printed in The Netherlands (0316HG) EN.

**Safety:** This truck conforms to the current EU requirements. Specification is subject to change without notice.

Yale, VERACITOR and  are registered trademarks. "PEOPLE, PRODUCTS, PRODUCTIVITY", PREMIER, Hi-Vis, and CSS are trademarks in the United States and certain other jurisdictions. MATERIALS HANDLING CENTRAL and MATERIAL HANDLING CENTRAL are Service Marks in the United States and certain other jurisdictions.

 is a Registered Copyright. © Yale Europe Materials Handling 2016. All rights reserved.

Truck shown with optional equipment. Country of Registration: England and Wales.

Company Registration Number: 02636775