

RAVAS-1100

Pallet truck scale with basic scale functions



BENEFITS:

- The RAVAS work horse
- Shock and vibration resistant
- Water tight for outdoor use
- Low power consumption
- For checking incoming goods and shipping weights

Top quality

For industrial use



RAVAS ECONOMY LINE

RAVAS

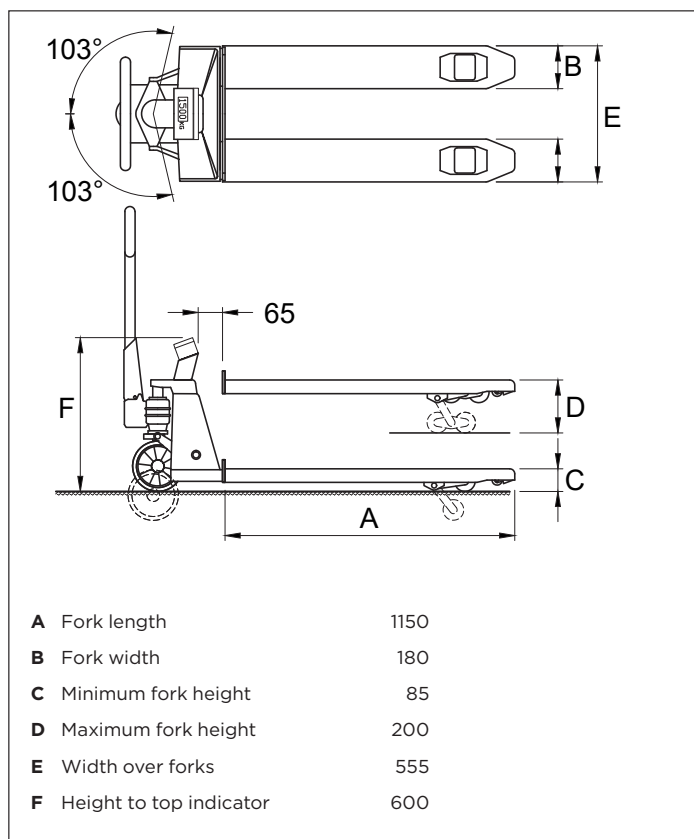
FUNCTIONS

- Automatic and manual zero correction
- Gross/net weighing
- Totalling with sequence number
- Error messages in display
- Automatic switch-off after 3 minutes of non-use
- Low battery warning in display

STANDARD SPECIFICATIONS

- Weighing capacity 2,000 kg
- Graduation 1 kg
- Max. inaccuracy 0.1% of the load lifted
- Display LCD, digit height 18 mm
- Keypad 3 function keys, on/off key
- Protection class load cells IP67, indicator IP65
- Steering wheels rubber
- Loading wheels polyurethane, tandem
- Colour red (RAL 3000), epoxy painted
- Own weight 104 kg
- Power supply 4 x 1.5V AA-batteries
- Battery life when used 5 times a day, the batteries last for a year
- Pump quick lift

DIMENSIONS IN MM



Management System
ISO 9001:2015
ISO 14001:2015
ISO 45001:2018
www.tuv.com
ID 0000037200

OPTIONS*

- Built-in thermal printer
- Legal for trade version up to 2000 divisions, OIML III

RAVAS Europe B.V.

Toepadweg 7, 5301 KA Zaltbommel, The Netherlands

T: +31 418 515220 E: salesoffice@ravas.com

WWW.RAVAS.COM

RAVAS