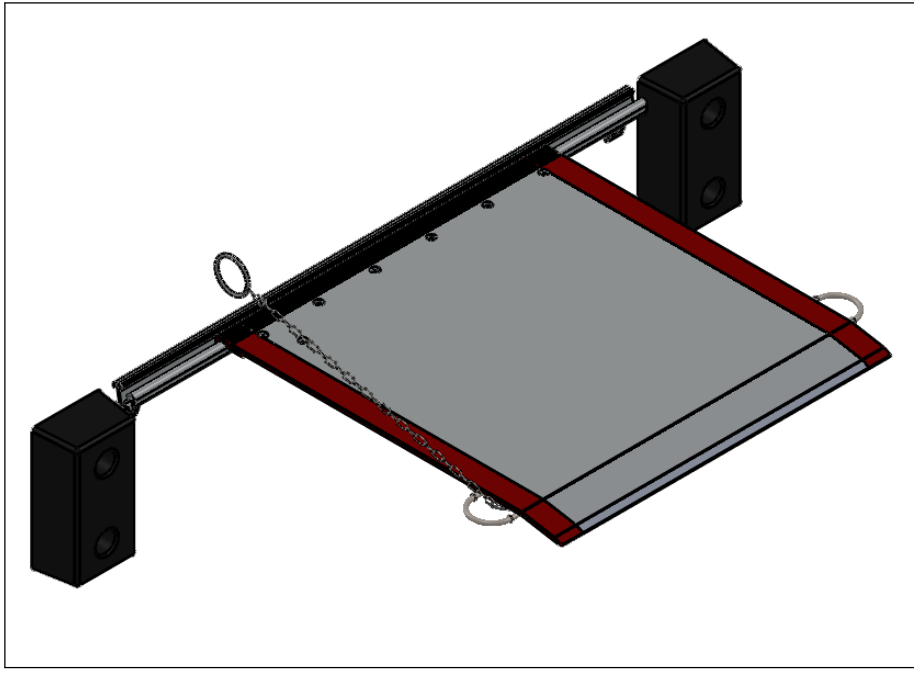


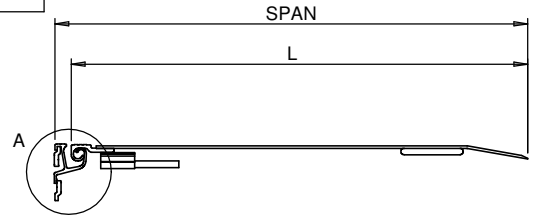
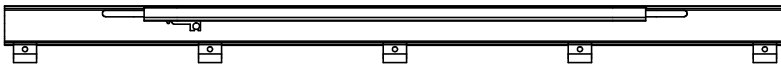
PART No: THBP-000



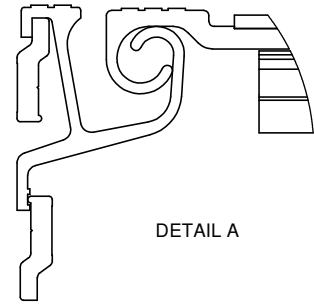
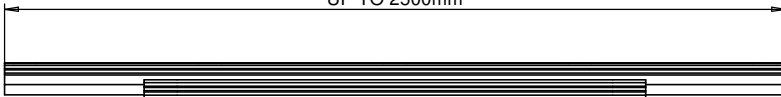
Hinged Bridgeplates are located in a mating hinge rail, which is fixed to the edge of the loading dock, the plate hinges from the edge of the dock and acts like a drawbridge. The plate can be moved along the dock by sliding the plate along the rail and locking it in position until ready for use. A locking clamp is included, to prevent the plate from falling forward when stored in a vertical position. This vehicle storage position acts as a safety barrier.

MATERIAL	HIGH TENSILE ALUMINIUM
ESTIMATED LEADTIME	5 - 10 Working Days
OPTIONAL EXTRAS	<ul style="list-style-type: none"> HRCF-1 Hinge rail with clips and fixings (2.5m) HRC-1 Hinge rail with clips but no fixings (2.5m) PHF-1 Steel piano hinge with fixings (length to-suit) PH-1 Steel piano hinge without fixings (length to-suit) HRH-1 Lifting handle TWB-1018-6 Dock bumper

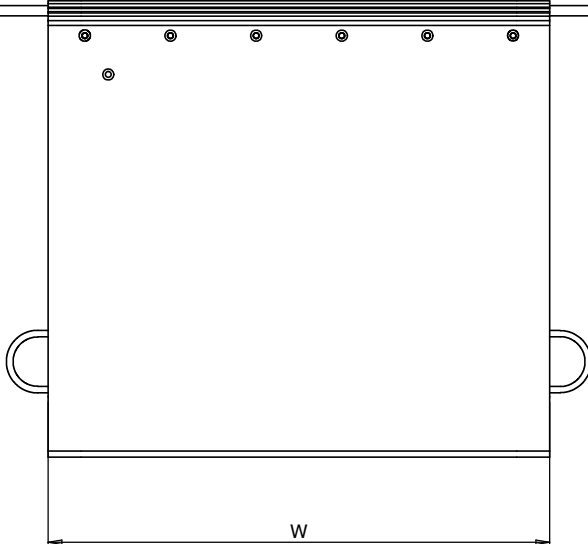
PLEASE NOTE: THE ABOVE IMAGE SHOWS A STANDARD HINGED BRIDGEPLATE WITH THE RECOMMENDED EXTRAS: HINGE RAIL WITH CLIPS AND FIXINGS, TWB-1018-6 DOCK BUMPERS, HRH-1 LIFTING HANDLE WHICH ARE SOLD AS OPTIONAL EXTRAS.



LENGTH OF HINGE/RAIL TO SUIT CUSTOMER REQUIREMENTS UP TO 2500mm



DETAIL A



MODEL NO.	O/A W x L (mm)	SPAN (mm)	Max Poss. +/-	Max Recomm. +/-	Total Max. Load Kg	Weight Kg
B4843	1220 x 1110	1150	164	115	1000	40
B4850	1220 x 1280	1320	194	140	500	46
BX4850	1220 x 1280	1320	194	140	1000	48
BH4820	1220 x 510	550	62	45	4000	25
B4838	1220 x 980	1020	145	100	1000	36
BH4838	1220 x 980	1020	145	100	2250	44
B6018	1524 x 460	500	53	40	3250	22
B6020	1524 x 510	550	62	45	3000	26
BH6020	1524 x 510	550	62	45	4000	32
BH6026	1524 x 670	710	88	60	4000	39
BH6038	1524 x 980	1020	145	100	2500	55

All dimensions shown are in millimetres and are intended for reference purposes only; exact product measurements may vary due to applied tolerances and methods of manufacture