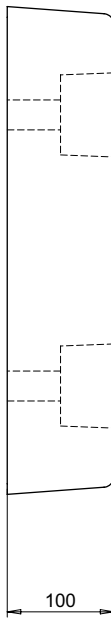
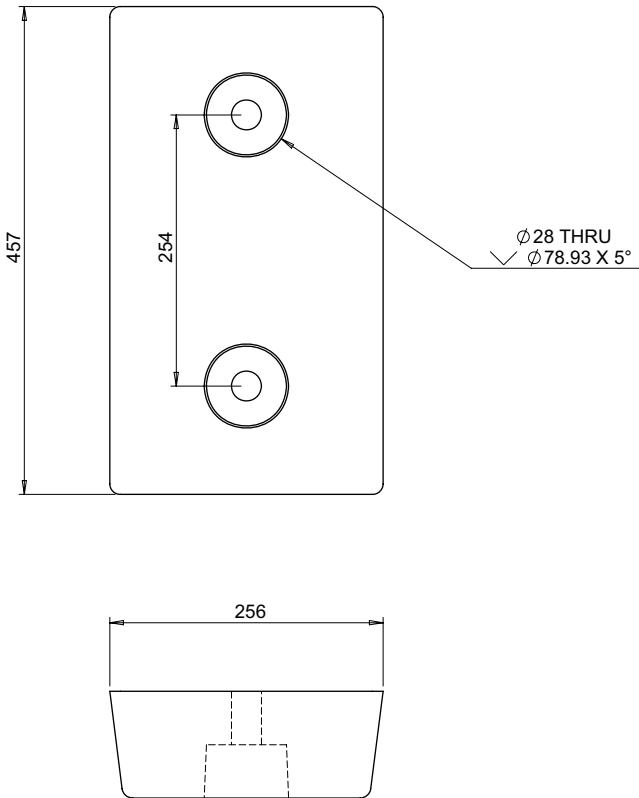


PART No: TWB-1018-4



Serious consideration should always be given to fitting Dock Bumpers at loading bays. They reduce damage to loading equipment and buildings caused by vehicle impact and consequently significantly reduce maintenance bills.

MATERIAL	Rubber
WEIGHT	14 Kg
ESTIMATED LEADTIME	EX STOCK
NO. HOLES	2



All dimensions shown are in millimetres and are intended for reference purposes only; exact product measurements may vary due to applied tolerances and methods of manufacture