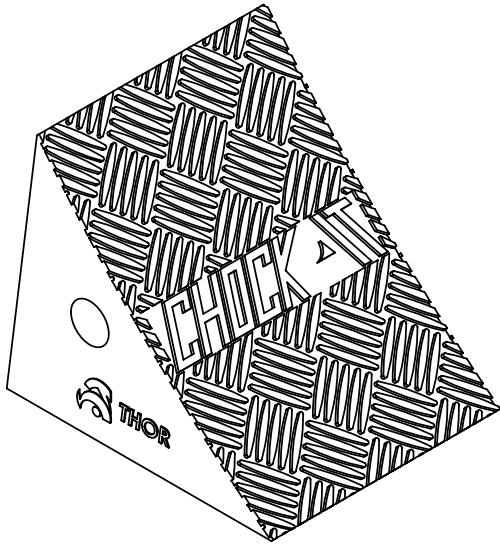


PART No: TWC-8



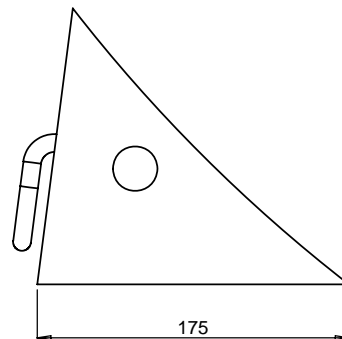
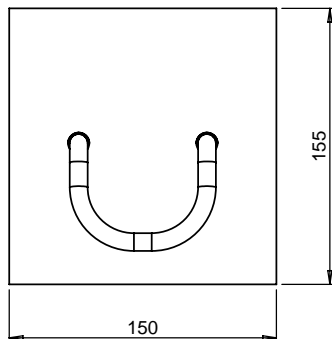
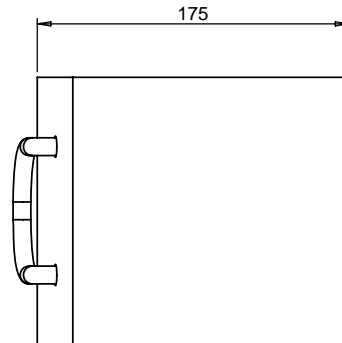
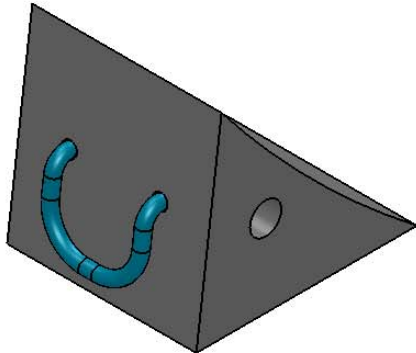
Wheel Chocks are a low cost effective way of preventing the unexpected movement of vehicles whilst either parked or being unloaded and loaded. This product comes with a built in lifting handle and safety grip face for maximum adhesion between vehicle wheel and chock.

MATERIAL	Rubber with Nylon rope handle
----------	-------------------------------

WEIGHT	3.5Kg
--------	-------

ESTIMATED LEADTIME	Ex-Stock
--------------------	----------

INFO	This particular product has been specifically designed for use with our Mobile Yard Ramps.
------	--



Tread pattern omitted for clarity

All dimensions shown are in millimetres and are intended for reference purposes only; exact product measurements may vary due to applied tolerances and methods of manufacture