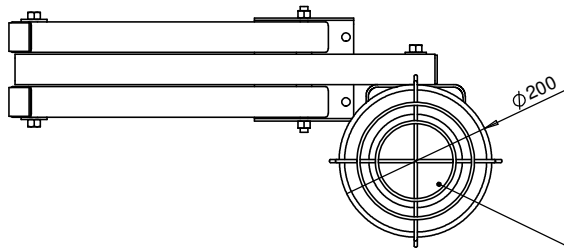
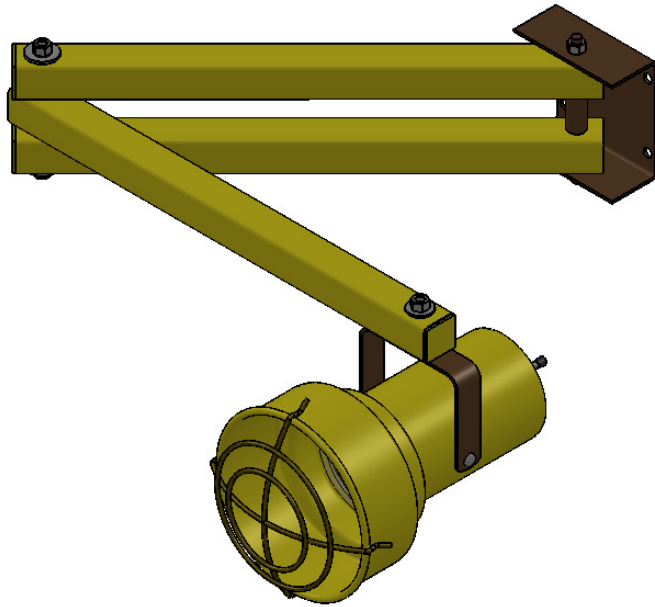


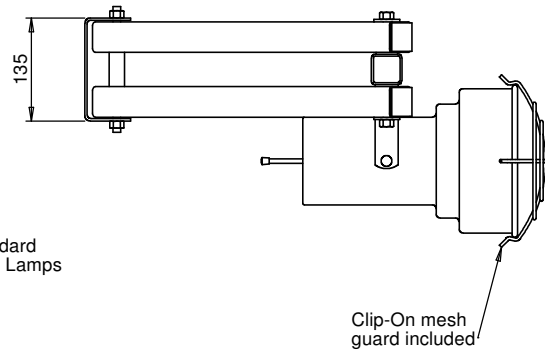
PART No: TWDL-3

The Standard Plus Dock Light moves in two planes and pivots at three points, allowing the light to be accurately positioned to illuminate the inside area of a vehicle during loading and unloading,

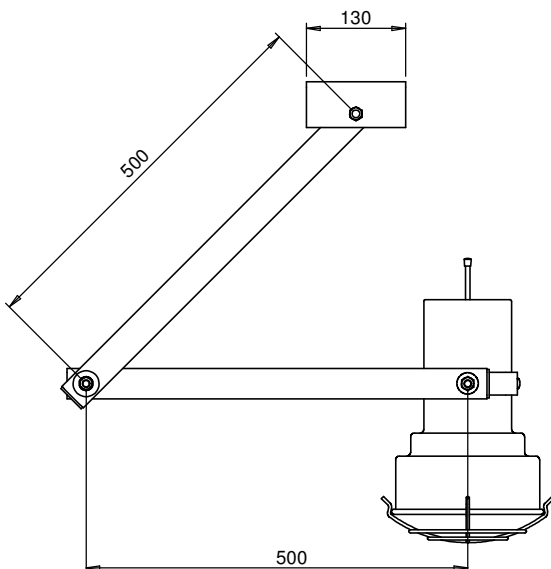
MATERIAL	STEEL
WEIGHT	7 Kg
ESTIMATED LEADTIME	EX STOCK
ADDITIONAL INFO	Includes lamp (80W halogen or 12W LED depending on model chosen), and a metal guard to the lamp. Arm length of 1060mm.



Accepts standard E27, PAR 38 Lamps



Clip-On mesh guard included



Model	Supply Voltage	Lamp
TWDL-3-240	240v	80W Halogen
TWDL-3-110	110v	80W Halogen
TWDL-3L-240	110-240v	12W LED

All dimensions shown are in millimetres and are intended for reference purposes only; exact product measurements may vary due to applied tolerances and methods of manufacture