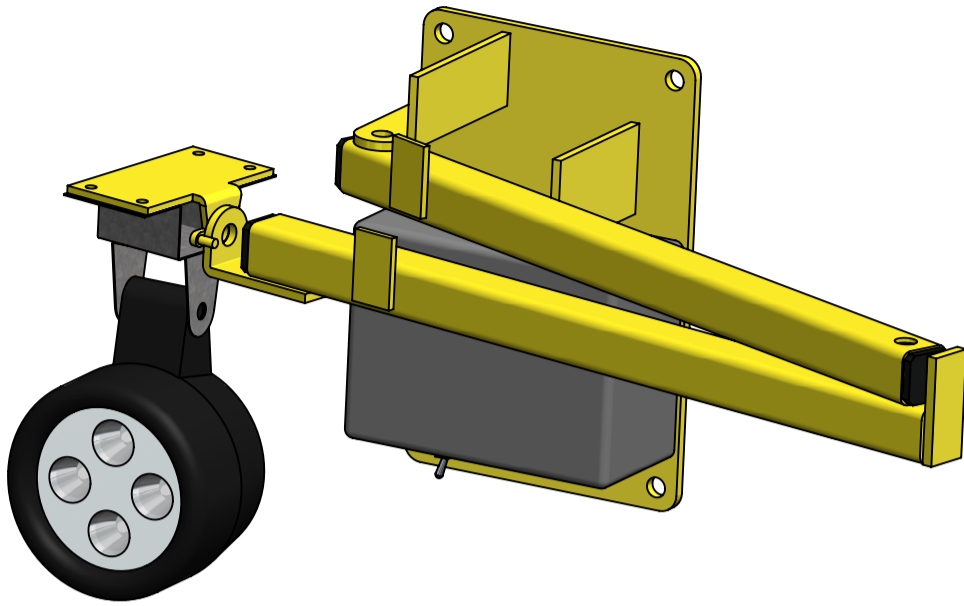
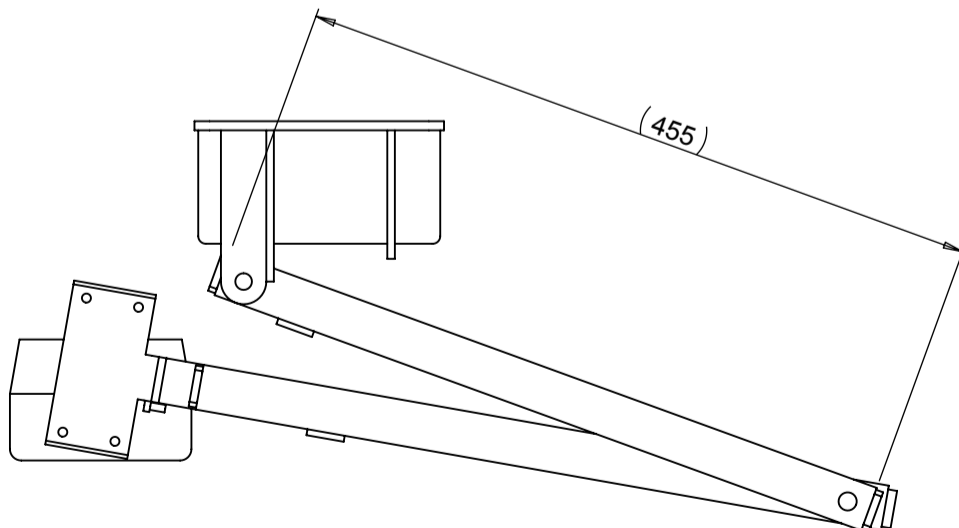
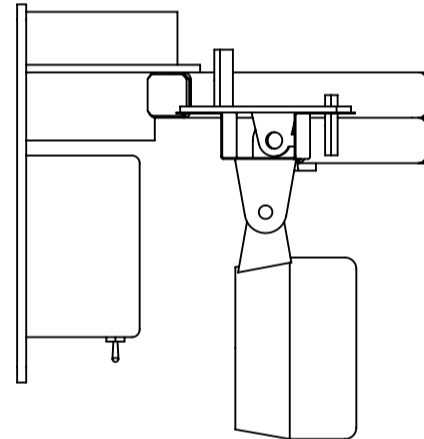
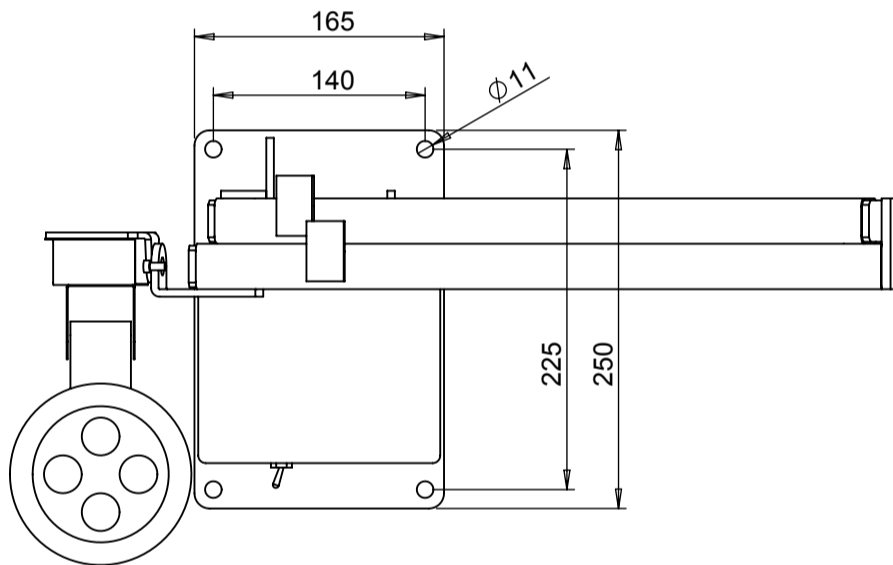


PART No: TWDL-4



The Deluxe Dock Light moves in two planes and pivots at three points, allowing the light to be accurately positioned to illuminate the inside area of a vehicle during loading and unloading,

MATERIAL	STEEL
WEIGHT	6.5 Kg
ESTIMATED LEADTIME	5 - 10 days
ADDITIONAL INFO	Available with 8.5W LED, or equivalent light output (~450 lumen) halogen lamp. Arm length of ~1000mm fully extended. IP54 for outdoor applications.



All dimensions shown are in millimetres and are intended for reference purposes only; exact product measurements may vary due to applied tolerances and methods of manufacture